

MINI WRISTLET

Designed by Karina Hittle of Artful Offerings™

This pattern is provided FREE for personal use only.

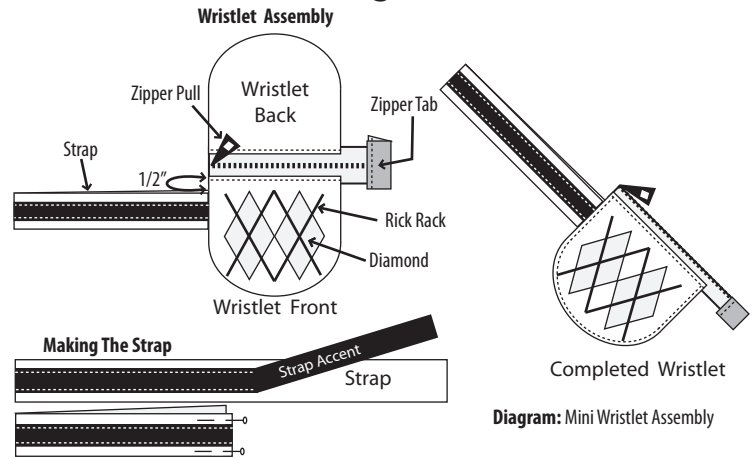
© 2009 Artful Offerings™ ~ www.Artful-Offerings.com

Materials

- 1 ~ (7" x 11" Rectangle) Of Wool Felt for Wristlet Front & Back
- 1 ~ (5" x 5" Square) Of Wool Felt for 2 Diamonds
- 1 ~ (1-1/2" x 14" Strip) Of Wool Felt for Strap
- 1 ~ (3/4" x 14" Strip) Of Wool Felt for Strap Accent
- 1 ~ (1" W x 1-1/2" Rectangle) Of Wool Felt for Zipper Tab
- 1 ~ Size 7" Zipper AND 1 Package ~ Baby Rick Rack
- Fine-Tipped Permanent Marker - Temporary Spray Baste - Freezer Paper
- Light Removable Stabilizer - Seam Sealant

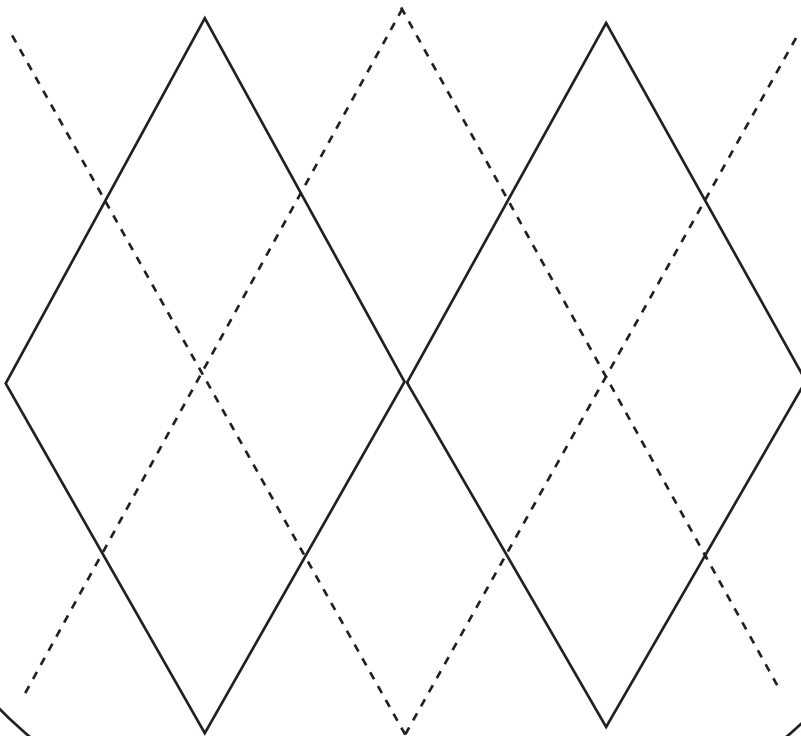
Directions: See Wristlet Assembly Diagram

1. Trace diamond & wristlet patterns to dull side of freezer paper & cut along the lines of traced patterns. Iron patterns shiny side down on wool felt & cut out 2 wristlets (for front & back) and 2 diamonds (for wristlet front).
2. With a marker, trace the wristlet, diamond & argyle patterns onto a piece of light removable stabilizer. Set aside.
3. Spray backside of 2 diamond cutouts with Temp. spray baste. Center the diamonds on wristlet front & fingerpress in place. Place a light removable interfacing underneath wristlet front & stitch around the perimeter of both diamonds 1/8" in from the cut edges.
4. To transfer the argyle stitching lines, align the light removable stabilizer pattern on wristlet front & pin in place. Baste stitch directly on traced argyle lines thru all layers. Carefully remove the stabilizer.
5. Put rick rack directly on baste-stitched lines & sew in place, starting on the left-side end, pivoting the rick rack at the point until you come to the right-side end. Cut off excess rick rack. Repeat this step with a second piece of rick rack. Carefully apply seam sealant to the cut ends of rick rack.
6. For a finished end, fold under the left & right zipper tapes that extend beyond zipper pull & securely tack in place.



To complete the strap, straight stitch down the left and right sides of the strap accent 1/8" in from the cut edges. Fold completed strap in half and pin ends together.

Wristlet ~ Diamond ~ Argyle Pattern & Placement Guide



7. Lay zipper flat with zipper pull on left. Pin wristlet front & back to zipper tape, aligning side edges with zipper pull & stitch in place 1/8" in from cut edges.
8. Cut zipper end 1" beyond wristlet sides. Fold wool felt zipper tab in half to make a 1-1/2" L x 1/2" W rectangle, sandwiching zipper end in between. Stitch across zipper tab thru all layers & trim ends of wool felt to width of zipper tape.
9. Spray temp. spray baste on backside of strap accent. Center accent on strap sticky side down. Stitch down the left & right sides of strap accent 1/8" in from cut edges. Fold completed strap in half wrong sides together.
10. Arrange & pin folded strap 1/2" down from top edge of wristlet front & 1/2" in from side of wristlet front.
11. Fold wristlet in half wrong sides together matching side & bottom curved edges & pin.
12. Stitch side & bottom curved edges together thru all layers including strap. Enjoy your completed wristlet. It is perfect for carrying small items like a cell phone & credit cards or lipstick & money!