

# Patchwork Passion Pattern Update

Pattern No. 2009122

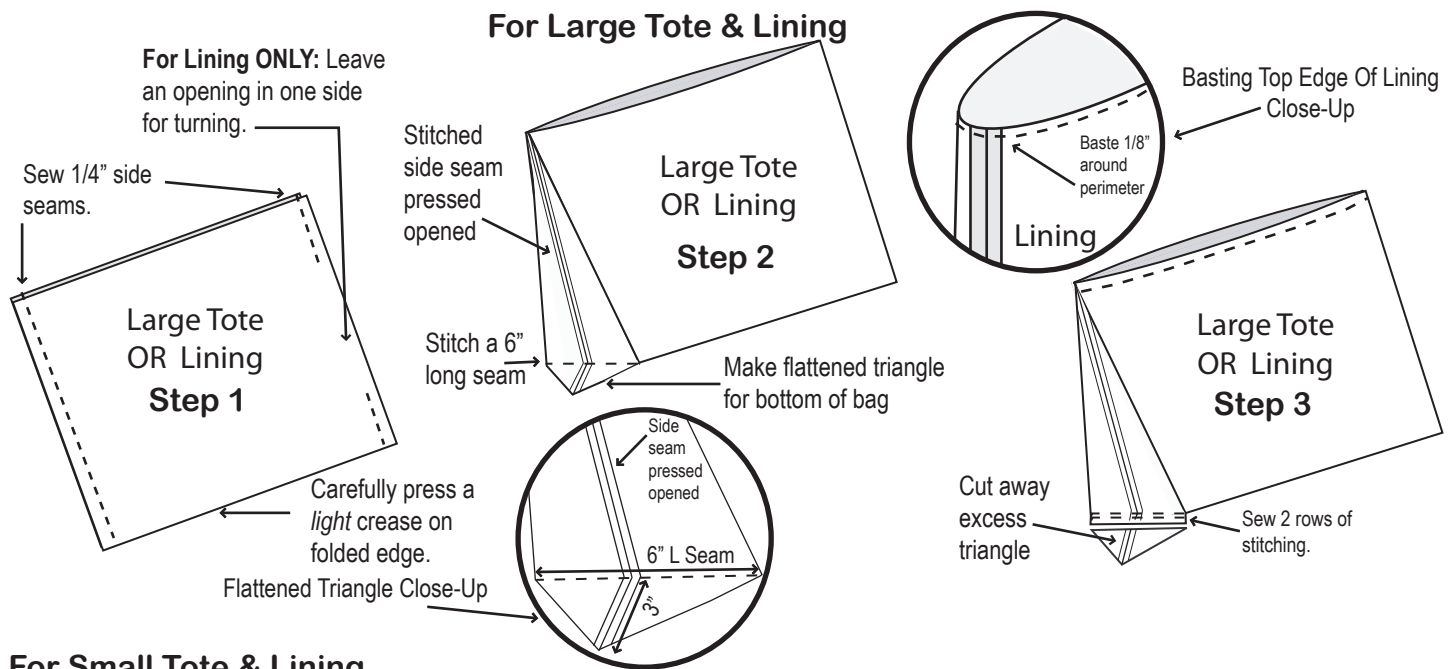
Please Update Page 2 With The Following:

NOTE: The following update is located at the bottom of the page after Making & Adding The Handles...See Diagram C

## Large Tote Assembly...See Diagram E (Next Page)

1. Fold tote front/back right sides together, matching all edges, pin & sew 1/4" side seams. To form the bottom of the tote, refer to step # 4 (under Lining Assembly) and Diagram E on next page. When completed, turn tote right side out.

Please Update Diagram E On Page 3 With The Following:



For Small Tote & Lining



Small lining remains a plain rectangle that is trimmed to the exact size of the quilted rectangle for small tote front/back.

Diagram E: Large & Small Tote & Lining Assembly